

PRICE LIST

Effective From 1st August 2023

PLC | HMI | Gateway |
Convertor | Transducer |
SMPS | Slim Relays |
Timers | Time Switches |
Monitoring Devices |



Temperature Controller |
ACCL | Hour Meter |
Counters | PI |
Alarm Annunciator |
Phase Indicator

Contact Us

www.gicindia.com
info@gicindia.com



PLC

HSN Code: 9032

Mini PLC PL-100



Mini PLC PL-100

Supports up to 112 I/Os

Supply: 24VDC for all base model & extension model

COM Ports: 2 (Com 1: RS232/RS485, Com 2: RS485)

Cat. No.	Description	MRP (₹)
Base Models:		
PC10BD14006D1	DC Base with 8 Digital I/Ps (4 Normal I/Ps + 4 High Speed I/Ps 10 kHz max) 6 Transistor Low Side O/P (4 Normal O/Ps + 2 High Speed O/Ps 25 kHz max) With 2 Port.	13898
PC10BD16005D1	DC Base with 8 Digital I/Ps, 8 Relay O/P (5A each) With 2 Port.	9732
Extension Models:		
PC10ED08001N	Extension with 8 Digital I/P	2739
PC10ED08002N	Extension with 8 Relay O/P (5A each)	3714
PC10ED16003N	Extension with 8 Digital I/P and 8 Relay O/P (5A each)	5561
PC10ED08004N	Extension with 8 Transistor Low Side O/P	3648
PC10ED08005N	Extension with 8 Transistor High Side O/P	5214
PC10EA04001N	Extension with 4 Analog I/P (Max. 24, 0-10V / 4-20mA)	6371
PC10EA02002N	Extension with 2 Analog O/P (Max. 12, 0-10V / 4-20mA)	5792
Application Software:		
PC10SN000N	PL-Soft Pro	1288
Accessories:		
PC10AC2	RS232 Communication Cable, PL-100 to HMI / SCADA (DB9 Female to RJ-11)	1038
PC10AC3	RS485 Communication Cable, PL-100 to HMI / SCADA (DB9 Female to RJ-11)	
PC10AC4	RS485 Communication Cable, PL-100 to HMI / SCADA (DB9 Male to RJ-11)	

GSM Alarm Modem



GSM Alarm Modem

Supported PL-100 PLC IOs controlling & monitoring through SMS facility

Cat. No.	Description	MRP (₹)
40B2BBVAA	24 VDC, Module for GSM Alarm Modem with wire type antenna	6820



Smart Relay Genie™-NX

Supports up to 48 I/Os

Models with various AC/DC supply voltage

Com port: 1 (NX-COMM RS485 Communication Module)

Cat. No.	Description	MRP (₹)
Base Models with LCD Display:		
G7DDT11	110 - 240 VAC, 8 Digital I/Ps, 4 Relay O/P (8A each)	7632
G8DDT11	12 - 24 VDC, 8 Digital I/Ps or (6 Digital I/P & 2 Analog I/P), 4 Relay O/P (8A each)	
G9DDT11	24V AC/DC, 8 Digital I/Ps, 4 Relay O/P (8A each)	
G9ADT11	24V AC/DC, 8 Digital I/Ps or (6 Digital I/P & 2 Analog I/P), 4 Relay O/P (8A each)	6938
Base Models without LCD Display:		
G7DDT11B	110 - 240 VAC, 8 Digital I/Ps, 4 Relay O/P (8A each)	6942
G8DDT11B	12 - 24 VDC, 8 Digital I/Ps or (6 Digital I/P & 2 Analog I/P), 4 Relay O/P (8A each)	
G9DDT11B	24VAC/DC, 8 Digital I/Ps, 4 Relay O/P (8A each)	
G9ADT11B	24V AC/DC, 8 Digital I/Ps or (6 Digital I/P & 2 Analog I/P), 4 Relay O/P (8A each)	6311
Extension Models:		
G7DDT10E	110 - 240 VAC, 8 Digital I/Ps, 4 Relay O/P (8A each)	4714
G8DDT10E	12 - 24 VDC, 8 Digital I/Ps or (6 Digital I/P & 2 Analog I/P), 4 Relay O/P (8A each)	
G9DDT10E	24V AC/DC, 8 Digital I/Ps, 4 Relay O/P (8A each)	
G9ADT10E	24V AC/DC, 8 Digital I/Ps or (6 Digital I/P & 2 Analog I/P), 4 Relay O/P (8A each)	4285
Accessories:		
GFDNN3M	Memory Card	605
GFDNN2S	RS232 Serial Communication Cable	2448
GFDNN1	Programming Cable	1838
GNXNN2	Software supplied on CD-ROM compatible with Windows 7, Windows 8, Windows 8.1 & Windows 10	750
Communication Module:		
G7XDTR4	110 - 240 VAC, RS485 Communication Module	1654
G8XDTR4	12 - 24 VDC, RS485 Communication Module	

Human Machine Interface

HSN Code: 8537

GTi-HMI



Human Machine Interface-GTi

Size: 4.3", 7" & 10.1"

TFT display options with &
without Ethernet model

Cat. No.	Description	MRP (₹)
HM104B-0000	4.3" TFT Display, 24VDC, 2 Serial ports (1 RS232/RS485, 1 RS422/RS485), 1 USB Slave, 1 USB Host	17250
HM104B-N000	4.3" TFT Display, 24VDC, 2 Serial ports (1 RS232/RS485, 1 RS422/RS485), 1 USB Slave, 1 USB Host, 1 SD Card Slot, 1 Ethernet port	20500
HM107B-0000	7" TFT Display, 24VDC, 2 Serial ports (1 RS232/RS485, 1 RS232/RS422/RS485), 1 USB Slave, 1 USB Host	25000
HM107B-N000	7" TFT Display, 24VDC, 2 Serial ports (1 RS232/RS485, 1 RS232/RS422/RS485), 1 USB Slave, 1 USB Host, 1 SD Card Slot, 1 Ethernet	29500
HM110B-0000	10.1" TFT display, 24VDC, 2 Serial ports (1 RS232/RS485, 1 RS232/RS422/RS485), 1 USB Slave, 1 USB Host	39000
HM110B-N000	10.1" TFT display, 24VDC, 2 Serial ports(1 RS232/RS485, 1 RS232/RS422/RS485), 1 USB Slave, 1 USB Host, 1 SD Card Slot, 1 Ethernet	47000

Gateway, Converters & Transducers

HSN Code: 8517

Lynx+ Gateway



Lynx+ Gateway
 Protocol Converter (Modbus TCP-Modbus RTU/ASCII)
 Serial to Ethernet Conversion with TELNET RFC2217
 Easily Configurable

Cat. No.	Description	MRP (₹)
25A11A0	12 - 24 VDC, Protocol Converter, Modbus TCP - Modbus RTU/ASCII	12795
25B11A0	12 - 24 VDC, Serial to Ethernet Converter	9720

Interface Converters



USB to RS232 / RS485 / RS422 Converter
 LED Indication for Signal status
 Input power from USB Port



RS232 to RS485 / RS422 Converter
 LED Indication for Signal status
 Input power supply range
 12-24 VDC

USB to RS232 / RS485 / RS422 Converter

Cat. No.	Description	MRP (₹)
28A11A0	USB to RS232 / RS485 / RS422 Converter	4096
28G11A0	USB to RS485 Converter	3072
28D33B0	Accessory for Converter 28A11A0, USB 2.0 Cable, Type A Male to B Male	394
28NNN10	Software CD for Windows 8, 8.1 and 10	331

RS232 to RS485 / RS422 Converter

Cat. No.	Description	MRP (₹)
28B21A0	RS232 to RS485/RS422 Converter	3512
28E34B0	Accessory for Converter 28B21A0, Cable, DB9 Female to DB9 Male	672

Signal Transducer

HSN Code: 9030



Signal Transducers

Easily Configurable via DIP Switch

Choice of multiple analog IO Configuration

Provides 3-Way galvanic isolation of 3.75kV

Fast output response time (<100ms)

Cat. No.	Description	MRP (₹)
2SC3D11CC3	24 VDC, 1 Input & 1 Output, Voltage & Current, 3 Port Isolation, Base / DIN, Input Signal: 0-10 VDC, 2-10 VDC, 0-20 mA, 4-20 mA	2121
2SC3D11DC3	24 VDC, 1 Input & 1 Output, Voltage & Current, 3 Port Isolation, Base / DIN, Input Signal: 0-5 VDC, 1-5 VDC, 0-20 mA, 4-20 mA	
2SC3D11EC3	24 VDC, 1 Input & 1 Output, Voltage & Current, 3 Port Isolation, Base / DIN, Input Signal: 0-10 VDC, 2-10 VDC, 0-10 mA, 2-10 mA	

Switched Mode Power Supply

HSN Code: 8504

SMPS – DIN Mount



SMPS DIN Mount

High Efficiency
+/- 1% of Load & Line regulation
for stable output

Cat. No.	Description	MRP (₹)
24AS244D6D	96W, I/P 230V AC , O/P 24 VDC / 4A, (6M Size)	2807
24AS126D6D	72W, I/P 230V AC, O/P 12 VDC / 6A, (6M Size)	2640
24BS24AD4E	60W, I/P 110 - 240 VAC, O/P 24 VDC / 2.5A, (4M Size)	2227
24BS24ID2F	24W, I/P 110 - 240 VAC, O/P 24 VDC / 1A, (2M Size)	1743
24BS24BD1F	12W, I/P 110 - 240 VAC, O/P 24 VDC / 0.5A, (1M Size)	1526
24BS12ID2F	12 W, I/P 110 - 240 VAC, O/P 12 VDC / 1.0A, (2M Size)	1526
24BS10ID2F	10 W, I/P 110 - 240 VAC, O/P 10 VDC / 1.0A, (2M Size)	1466
24BS05ID1F	5W, I/P 110 - 240 VAC, O/P 5 VDC / 1.0A, (1M Size)	1990

SMPS – DIN Mount / Panel Mount



SMPS DIN/ Panel Mount

High Efficiency
Flexible installation methods with
terminals facing Upward & Forward

Cat. No.	Description	MRP (₹)
PSI50W24V	150W, I/P 85 - 132 VAC/170 - 264 VAC, O/P 24 VDC/ 6.25A, Terminal Block Facing Upward	3518
PSI50W24VF	150W, I/P 85 - 132 VAC/170 - 264 VAC, O/P 24 VDC/ 6.25A, Terminal Block Facing Forward	
PSI100W24V	100W, I/P 90 - 264 VAC/130 - 373 VDC, O/P 24 VDC/ 4.5A, Terminal Block Facing Upward	2835
PSI100W24VF	100W, I/P 90 - 264 VAC/130 - 373 VDC, O/P 24 VDC/ 4.5A, Terminal Block Facing Forward	

Accessories:

LI5024	Mounting Bracket for SMPS	310
LI0024	Mounting Bracket for SMPS	

Slim Relays

HSN Code: 8536



1 Change over
Size 6.2 mm wide



2 Change over
Size 14 mm wide

1 Change over

Cat. No.	Description	MRP (₹)
SR24D61RM	24VDC, Relay O/P 1 C/O, 6A ¹	429
SR24U61RM	24VAC/DC, Relay O/P 1 C/O, 6A ¹	508
SR120U61RM	120VAC/DC, Relay O/P 1 C/O, 6A ¹	545
SR230A61RM	230VAC, Relay O/P 1 C/O, 6A ¹	569
SR230U61RM	230VAC/DC, Relay O/P 1 C/O, 6A ¹	660

2 Change over

Cat. No.	Description	MRP (₹)
SR12U82RM	12VAC/DC, Relay O/P 2 C/O, 8A ¹	1020
SR24U82RM	24VAC/DC, Relay O/P 2 C/O, 8A ¹	857
SR120U82RM	120VAC/DC, Relay O/P 2 C/O, 8A ¹	1081
SR230U82RM	230VAC/DC, Relay O/P 2 C/O, 8A ¹	1081

Accessories:

Cat. No.	Description	MRP (₹)
SRAL2	2-Pole, Shorting Link ²	24
SRAL3	3-Pole, Shorting Link ³	43
SRAL4	4-Pole, Shorting Link ³	67
SRAL8	8-Pole, Shorting Link ¹	103
SRAL10	10-Pole, Shorting Link ¹	150
SRAMB	Marker Tag Blank ⁴	103
SRAEC	End Clamp for DIN32/35 ³	19

- NOTE:** 1 - Pack of 10nos (each)
 2 - Pack of 100nos (each)
 3 - Pack of 50nos (each)
 4 - Pack of 1nos (Pkt)

Digital Timer *Elro*[®]

HSN Code: 9107



Programmable Digital Timer Eliro

With inbuilt function modes

Size: 48X48 mm

Cat. No.	Description	MRP (₹)
DT124S	88 - 276 VAC/DC, Multi-Function Digital Timer - Eliro (4 Functions - On Delay, Interval, Cyclic On first, Cyclic Off first), 2 Relay (5A SPDT each O/P)	2856
DT125S	88 - 276 VAC/DC, Forward-Reverse Digital Timer - Eliro , 2 Relay (5A SPDT each O/P)	

Liquid Level Monitoring Relay

HSN Code: 9032



Liquid Level Monitoring Relay

Suitable for 2 level or 1 level monitoring in draining & filling application

Adjustable sensitivity from 1K to 200K Ohm

Protection against dry running & over filling

Cat. No.	Description	MRP (₹)
4411AD1	110VAC, 1 Relay O/P (8A SPDT), 1K to 200K Sensitivity, Draining & Filling	1555
4421AD1	240VAC, 1 Relay O/P (8A SPDT), 1K to 200K Sensitivity, Draining & Filling	
4431AD1	400VAC, 1 Relay O/P (8A SPDT), 1K to 200K Sensitivity, Draining & Filling	

Accessories:

Cat. No.	Description	MRP (₹)
44S0003	Set of 3 Stainless Steel Sensors, -10° C to +65° C	532
44S0006	Set of 6 Stainless Steel Sensors, -10° C to +65° C	930
44S0013	Set of 3 Stainless Steel Sensors, -20° C to +165° C	
44S0016	Set of 6 Stainless Steel Sensors, -20° C to +165° C	1643

Process Indicators

HSN Code: 9030



Process Indicator

With Inbuilt Hourmeter

Size: 96X48 mm Flush Mount

Alarm Feature, Analog I/P & O/P

Cat. No.	Description	MRP (₹)
PIA200	Red Display, 180-270 VAC, Analog Input (0-10 VDC / 4-20 mA)	1731
PIT200	Red Display, 180-270 VAC, Thermocouple & RTD input	1842
PIB110	Red Display, 85-270 VAC/DC, Analog Input (0-10 VDC / 4-20 mA), Thermocouple & RTD Input & 24 VDC sensor supply	2791
PIB120	Red Display, 85-270 VAC/DC, Analog Input (0-10 VDC / 4-20 mA), Thermocouple & RTD Input, Alarm Outputs - Analog (0-10 V / 0-5 V, 0-20 mA / 4-20 mA) & Relay 5A for alarm indication, 24 VDC sensor supply	5248
PIB12C	Red Display, 85-270 VAC/DC, Analog Input (0-10 VDC / 4-20 mA), Thermocouple & RTD Input, Alarm Outputs - Analog (0-10 V / 0-5 V, 0-20 mA / 4-20 mA) & Relay 5A for alarm indication with RS-485, 24 VDC sensor supply	5471
PIA200W	White Display, 180-270 VAC, Analog Input (0-10 VDC / 4-20 mA)	1802
PIT200W	White Display, 180-270 VAC, Thermocouple & RTD input	1913
PIB110W	White Display, 85-270 VAC/DC, Analog Input (0-10 VDC / 4-20 mA), Thermocouple & RTD Input & 24 VDC sensor supply	2862
PIB120W	White Display, 85-270 VAC/DC, Analog Input (0-10 VDC / 4-20 mA), Thermocouple & RTD Input, Alarm Outputs - Analog (0-10 V / 0-5 V, 0-20 mA / 4-20 mA) & Relay 5A for alarm indication, 24 VDC sensor supply	5319
PIB12CW	White Display, 85-270 VAC/DC, Analog Input (0-10 VDC / 4-20 mA), Thermocouple & RTD Input, Alarm Outputs - Analog (0-10 V / 0-5 V, 0-20 mA / 4-20 mA) & Relay 5A for alarm indication with RS-485, 24 VDC sensor supply	5542

Temperature Controller – PR 69

HSN Code: 9032



Series: PR69
 Size: 48X48mm
 Control: PID/ ON-OFF
 Supply: 90-270 AC/DC
 SD Card Support
 Single Display



Series: PR69
 Size: 48X48mm
 Control: PID/ ON-OFF
 Supply: 90-270 AC/DC
 SD Card Support
 Dual Display

Single Acting PID Controller

Cat. No.	Description	MRP (₹)
TCS1T100	3 digit single display, RTD & Thermocouple I/P, 1 Relay (10A SPDT) or SSR O/P	2140
TCS2T100	3 digit dual display, RTD & Thermocouple I/P, 1 Relay (10A SPDT) or SSR O/P	2525

Dual Acting PID Controller

Cat. No.	Description	MRP (₹)
TCS4T2A0	4 digit dual display, RTD & thermocouple I/P, 2 Relay (10A SPST) or SSR & (5A SPST) O/P	2945
TCS4T300	4 digit dual display, RTD & thermocouple I/P, 2 Relay (10A SPDT) (5A SPDT) & SSR O/P	3440

Accessories:

TCMEM	Memory Card Module	1545
-------	--------------------	------

Cat. No.	Description	MRP (₹)
151B12B	1 Relays (SPST 5A), Analog O/P(0-10V, 4-20mA) SSR(12VDC, 24mA)	3175
151C12B	2 Relays (SPST 5A each), Analog O/P(0-10V, 4-20mA)	
151D12B	3 Relays (SPST 5A each)	
151B13B	1 Relays (SPST 5A), Analog O/P(0-10V, 4-20mA) SSR(12VDC, 24mA)	4029
151C13B	2 Relays (SPST 5A each), Analog O/P(0-10V, 4-20mA)	4576
151D13B	3 Relays (SPST 5A each)	4029
151A13B1	2 Relays (SPST 5A each), SSR(12VDC, 24mA) with RS485	4494
151B13B1	1 Relays (SPST 5A), Analog O/P(0-10V, 4-20mA) SSR(12VDC, 24mA) with RS485	
151C13B1	2 Relays (SPST 5A each), Analog O/P(0-10V, 4-20mA) with RS485	4576
151D13B1	3 Relays (SPST 5A each) with RS485	4066

Temperature Controller – PR 69

HSN Code: 9032



Series: PR69
Size: 96X96mm
Control: ON-OFF
Single Display

Cat. No.	Description	MRP (₹)
151M42B	4 digit single display, RTD & thermocouple I/P, 2 Relays (10A SPDT & 5A SPDT), SSR O/P	2980
151N42B	4 digit single display, RTD & thermocouple I/P, 1 Relays (10A SPDT), SSR O/P	2627

Temperature Controller – PR 69

HSN Code: 9032



Series: PR69

Size: 96X96mm
Control: PID/ ON-OFF
Supply: 110-240 AC/DC
Dual Display

Single Acting PID Controller

Cat. No.	Description	MRP (₹)
151L42B	4 digit dual display, RTD & thermocouple I/P, 2 Relays (10A SPDT & 5A SPST), SSR O/P	3403
151F42B	4 digit dual display, RTD & Thermocouple, 1 Analog I/P, 2 Relays (5A SPST each), SSR O/P	4441
151G42B	4 digit dual display, RTD & Thermocouple, 1 Analog I/P, 1 Relay (5A SPST), 1 Analog O/P, SSR O/P	
151H42B	4 digit dual display, RTD & Thermocouple, 1 Analog I/P, 2 Relays (5A SPST each), 1 Analog O/P	
151J42B	4 digit dual display, RTD & Thermocouple, 1 Analog I/P, 3 Relays (5A SPST each) O/P	
151K42B	4 digit dual display, RTD & Thermocouple, 1 Analog I/P, 1 Relay (10A SPDT), SSR O/P	

Dual Acting PID Controller

Cat. No.	Description	MRP (₹)
151F43B	4 digit dual display, RTD & Thermocouple, 1 Analog I/P, 2 Relays (5A SPST each), SSR O/P	5056
151G43B	4 digit dual display, RTD & Thermocouple, 1 Analog I/P, 1 Relay (5A SPST), SSR, 1 Analog O/P	5259
151H43B	4 digit dual display, RTD & Thermocouple, 1 Analog I/P, 2 Relays (5A SPST each), 1 Analog O/P	
151J43B	4 digit dual display, RTD & Thermocouple, 1 Analog I/P, 3 Relays (5A SPST each) O/P	
151F43B1	4 digit dual display, RTD & Thermocouple, 1 Analog I/P, 2 Relays (5A SPST each), SSR O/P with Rs485	6313
151G43B1	4 digit dual display, RTD & Thermocouple, 1 Analog I/P, 1 Relay (5A SPST), 1 Analog O/P, SSR O/P with Rs485	
151H43B1	4 digit dual display, RTD & Thermocouple, 1 Analog I/P, 2 Relays (5A SPST each), 1 Analog O/P with Rs485	
151J43B1	4 digit dual display, RTD & Thermocouple, 1 Analog I/P, 3 Relays (5A SPST each) O/P with Rs485	

Hour Meter & Counter

HSN Code: 9029

DHMC & Rate Indicator / Totaliser



Digital Hour Meter & Counter

Compact Size

Hour meter range - 1 sec to 9999999 hrs

Counter range - 1 to 9999999 counts

Cat. No.	Description	MRP (₹)
Z2301NOG1FT00	9-30 V DC with dual MOSFET output (30VDC, 60mA)	1704
Z2221NOG2FT00	85-265 V AC/DC with 1 Relay (5A) output	
Z122NOG0FT00	110-240V AC/DC Non resettable with 1 Relay (5A) output	
Z3301NOG2FT00	9-30 VDC Rate Indicator / Totaliser with 1 Relay (5A) output	3054

Impulse Counter Series CR 26

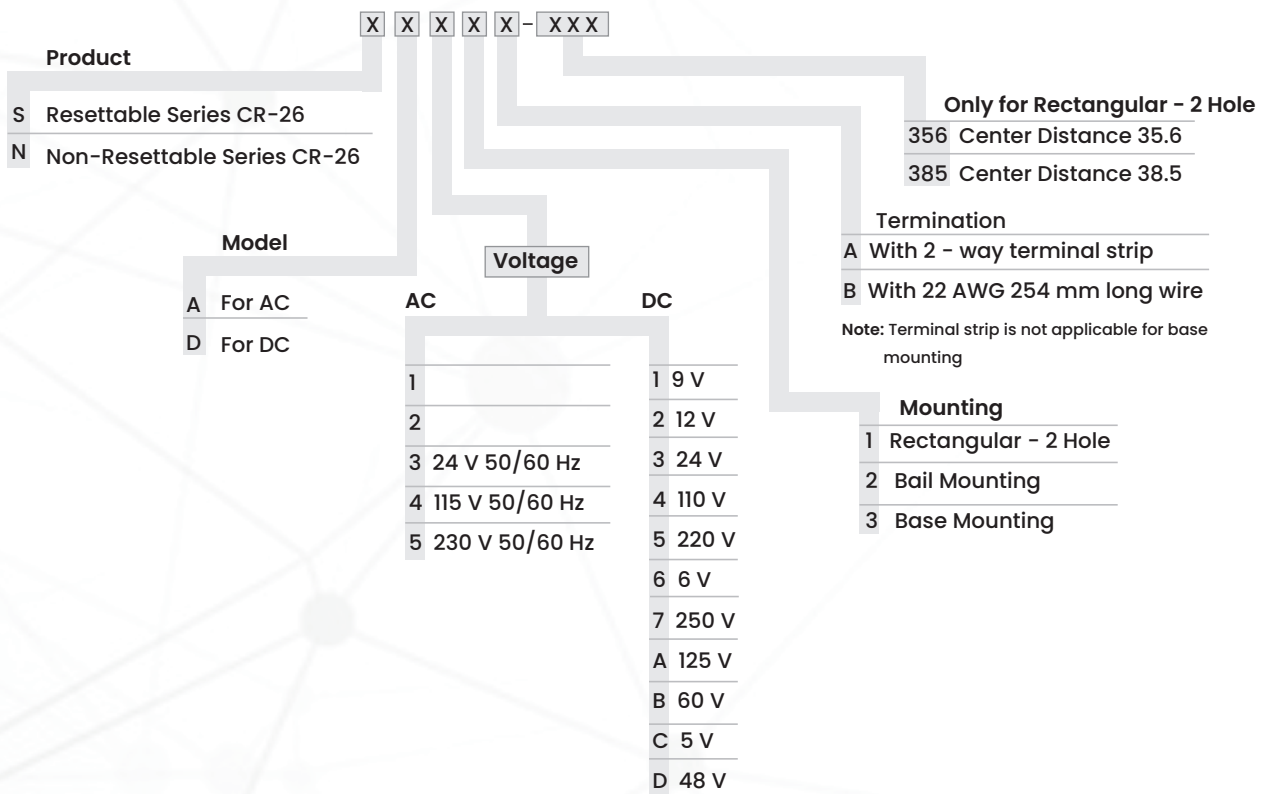
HSN Code: 9029



Impulse Counter Series CR 26
6-Digit Compact & Robust Design.
Push button quick reset.

Cat. No.	Description	MRP (₹)
AC Model		779
DC Model		696

Product Ordering Code:



Note: Other voltages will be made available upon request.

Impulse Counter Series CR 26

HSN Code: 9029



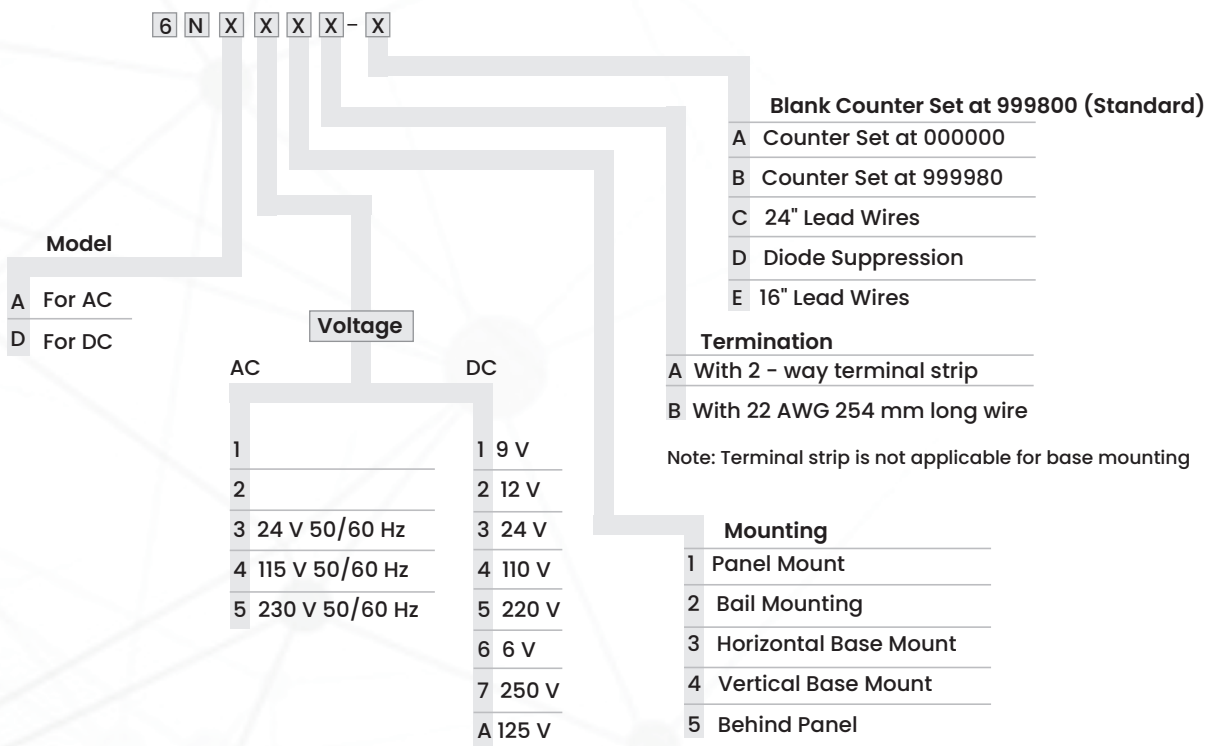
Impulse Counter Series CR 26

6-Digit Compact Non Reset & Robust Design.

High Accuracy & Reliability.

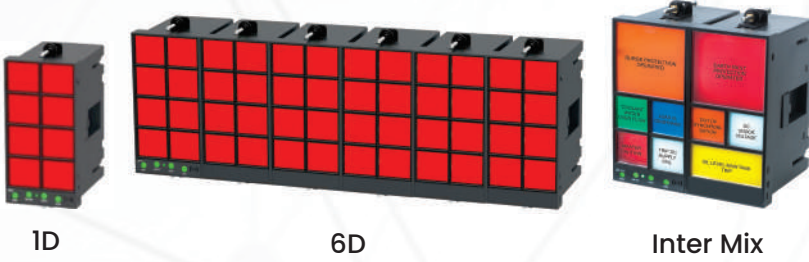
Cat. No.	Description	MRP (₹)
AC Model		779
DC Model		696

Product Ordering Code:



Alarm Annunciators

HSN Code: 8531



Alarm Annunciators

Standard models available from 2 to 48 windows

RS485 Modbus RTU Communication

Pluggable terminals for easy connections

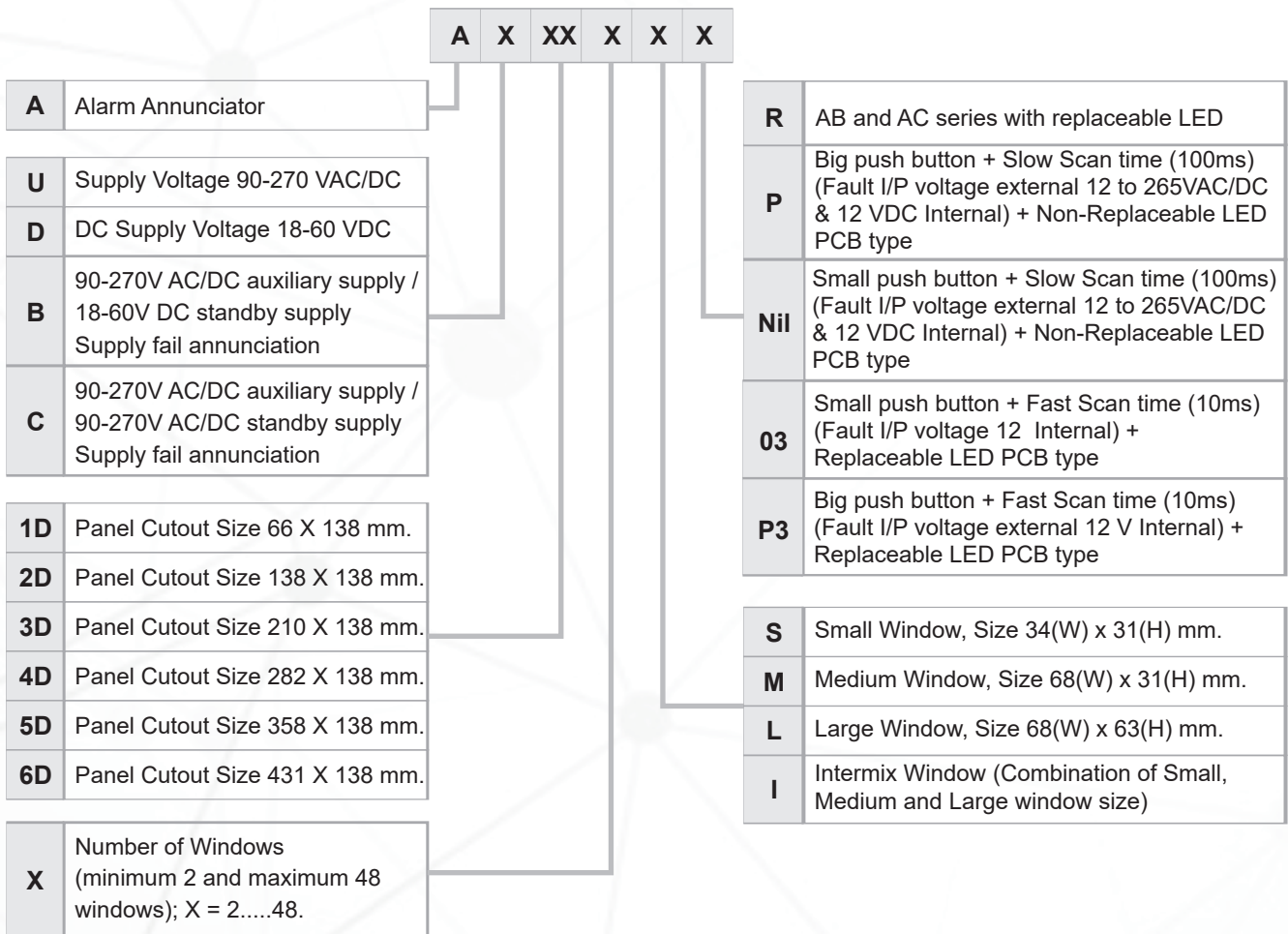
Product Series	Power Supply			Product Size	No. of Windows			Key	MRP (₹)
	90-270V AC DC	18 - 60V AC DC	90-270V AC DC		Small	Medium	Large		
AU Series	✓	-	-	1D	8	4	2	Small	9264
AD Series	-	✓	-		6	3	-	Big	
AB Series	✓	✓	-	1D	8	4	-	Small	
					6	-	-	Big	
AU Series	✓	-	-	2D	16	8	4	Small	15816
					14	7	-	Big	
AD Series	-	✓	-	2D	16	8	4	Small	
					14	7	-	Big	
AB Series	✓	✓	-	2D	16	8	4	Small	18021
					14	7	-	Big	
AC Series	✓	-	✓	2D	16	8	4	Small	
					14	7	-	Big	
AU Series	✓	-	-	3D	24	12	6	Small	23724
					22	11	-	Big	
AD Series	-	✓	-	3D	24	12	6	Small	
					22	11	-	Big	
AB Series	✓	✓	-	3D	24	12	6	Small	25929
					22	11	-	Big	
AC Series	✓	-	✓	3D	24	12	6	Small	
					22	11	-	Big	
AU Series	✓	-	-	4D	32	16	8	Small	31631
					30	15	-	Big	
AD Series	-	✓	-	4D	32	16	8	Small	
					30	15	-	Big	
AB Series	✓	✓	-	4D	32	16	8	Small	33891
					30	15	-	Big	
AC Series	✓	-	✓	4D	32	16	8	Small	
					30	15	-	Big	
AU Series	✓	-	-	5D	40	20	10	Small	39539
					38	19	-	Big	
AD Series	-	✓	-	5D	40	20	10	Small	
					38	19	-	Big	
AB Series	✓	✓	-	5D	40	20	10	Small	42364
					38	19	-	Big	
AC Series	✓	-	✓	5D	40	20	10	Small	
					38	19	-	Big	

Alarm Annunciators

HSN Code: 8531

Product Series	Power Supply			Product Size	No. of Windows			Key	MRP (₹)
	90-270V AC DC	18 - 60V AC DC	90-270V AC DC		Small	Medium	Large		
AU Series	✓	-	-	6D	48	24	12	Small	47447
					46	23	-	Big	
AD Series	-	✓	-	6D	48	24	12	Small	
					46	23	-	Big	
AB Series	✓	✓	-	6D	48	24	12	Small	50836
					46	23	-	Big	
AC Series	✓	-	-	6D	48	24	12	Small	
					46	23	-	Big	

Product Ordering Code:



Note: 1. All Products comes with RS485 modbus RTU Protocol.
2. AC/DC Fail feature available in AB & AC series

Voltage Monitoring Relay SM 175

HSN Code: 9032



Voltage Monitoring Relay SM 175
Monitors own power supply for faults.
Suitable for single & three phase application.

Cat. No.	Description	MRP (₹)
MAE03D0200	240 VAC/DC, UV / OV with Selectable ON & OFF Delay, 1 C/O	1520
MAE03D0201	240 VAC/DC, Fix UV / OV, Fix ON & OFF Delay, 1 C/O	
MAE03D0202	115 VAC/DC, UV / OV with Selectable ON & OFF Delay, 1 C/O	
MAE03D0203	115 VAC/DC, Fix UV / OV, Fix ON & OFF Delay, 1 C/O	975
MF31B0	220 VAC, Single Phase UV Relay	
MF41B0	230 VAC, Single Phase UV Relay	
MF51B0	400 VAC, Three Phase UV Relay	

Note: 1. UL not applicable

Integral Earth Leakage Relay

HSN Code: 9032



Integral Earth Leakage Relay
Monitors True RMS Earth Leakage Current
Integral toroid-35mm Ø
SPDT Output Relay with Energized to trip

Cat. No.	Description	MRP (₹)
ELR3A2030	35mm CBCT, 240VAC(±15%), 50/60Hz, 30mA, O/P 1 C/O non fail safe	1675
ELR3A2100	35mm CBCT, 240VAC(±15%), 50/60Hz, 100mA, O/P 1 C/O non fail safe	
ELR3A2300	35mm CBCT, 240VAC(±15%), 50/60Hz, 300mA, O/P 1 C/O non fail safe	

PTC Thermistor & Single Phasing Preventor Relay

HSN Code: 9032



Thermistor+SPP

Monitors & Protects Motors with Integrated PTC Resistor sensors. Protection against phase loss, phase sequence & phase asymmetry.

Cat. No.	Description	MRP (₹)
MLD4BS	400 VAC, Three Phase Three Wire PTC Thermistor & SPP, 1 NO + 1 NO	2051
MLD7BS	400 VAC, Three Phase Three Wire PTC Thermistor & SPP, 1 NO + 1 NC	


General Terms

- All Prices are in Indian Rupees.
- Prices are subject to change without prior notice.
- All Prices are on Maximum Retail Price (MRP) basis inclusive of all taxes & duties.
- Product evolution is a continuous process and GIC reserves the right to modify/withdraw any product at any time without prior notice.



General Industrial Controls Pvt. Ltd.

 T-107, MIDC, Bhosari, Pune 411026, Maharashtra, INDIA

 +91 20 4623 2323 / 25 / 29



Scan For Detailed Product Information