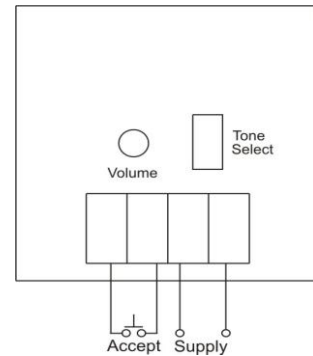
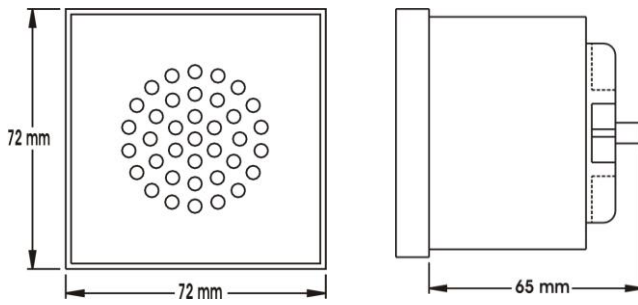


HOOTER – 72x72mm



Terminal Connection



72x72 mm

All Dimensions in mm

ORDER CODE	H72S – 110AC	H72S – 230AC	H72S – 24DC
SUPPLY VOLTAGE	110V AC ±15% , 50 / 60Hz	230V AC ±15% , 50 / 60Hz	24V DC ±15%
INRUSH CURRENT	1.6A , 20ms	3.2A , 20ms	250mA
POWER CONSUMPTION	6VA / Watt Max.		
ACCEPT FACILITY	Terminals on back (to be used with potential free contacts for hooter mute/reset. Once it's reset, make aux supply on & off to restart hooter).		
RESET TIME	Less than 1 Sec		
TONES	2 Tone		
tone select switch	Present on rear		
VOLUME CONTROL	Present on rear		
AUDIO LEVEL	110db ±10%		
OPERATING AMBIENT	0–55°C		
STORAGE AMBIENT	-20°C to 85°C		
HUMIDITY	95% RH non condensing		
MOUNTING	Flush at front (Panel Mounting)		
DIMENSIONS	Overall : 72 x 72 x 65 mm Cutout : 68 x 68mm +0.5, -0.0		
TERMINALS	Suitable for 2.5 mm ² wire		
WEIGHT	190gms		