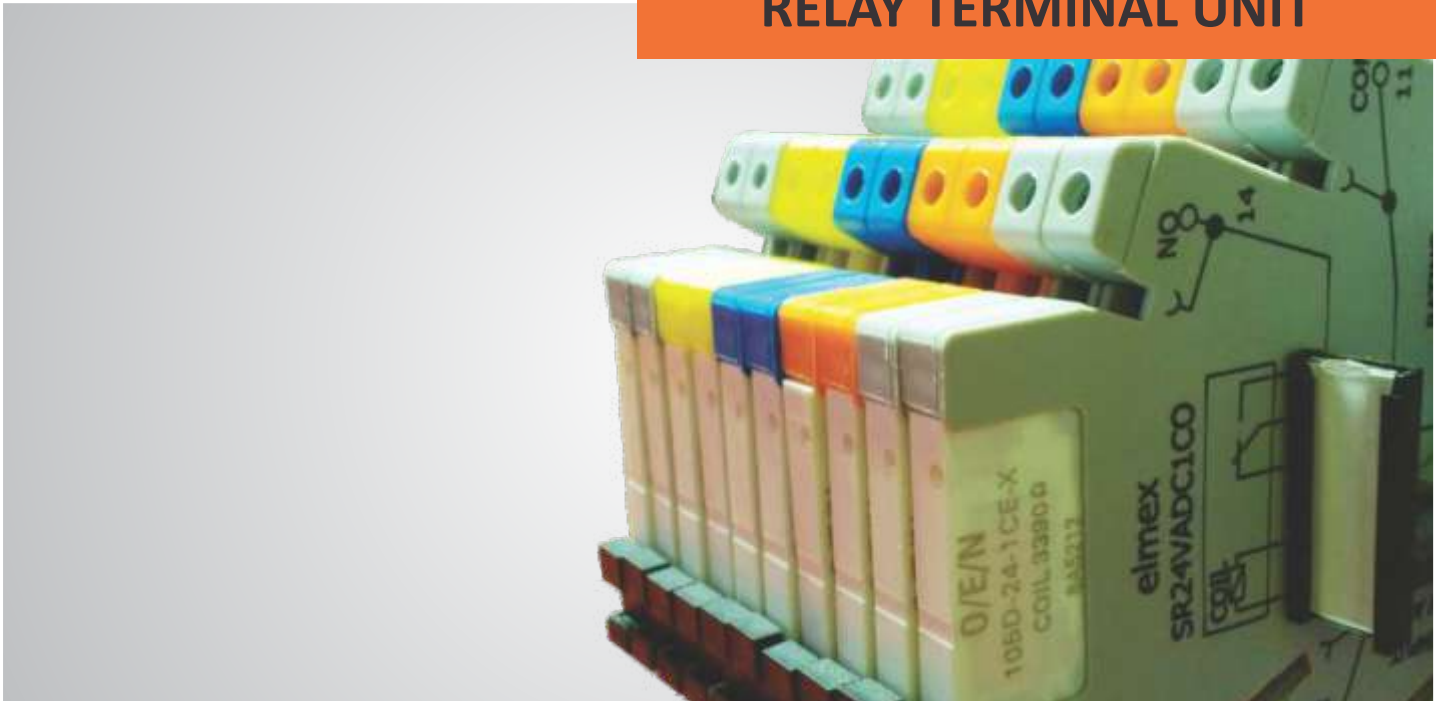


EXPANDING SOLUTIONS

RELAY TERMINAL UNIT



'elmex' introduces 6.2 mm, One Changeover & Solid State, terminal unit along with 14.5 mm Two Changeover Relay Terminal Unit for C & I and Automation industry. 6.2 mm housing makes it obvious choice for space constraint applications. These units are designed for mounting on TS 35 TOP HAT rails compliant to DIN Standards.

These units are available for **24V DC/AC** and **220V DC/AC** actuating signals.

Features

- 6.2 mm and 14.5 mm wide housing made from polyamide 6,6 complying flammability characteristics as per UL 94.
- Conductor clamping unit is positioned at 20 degrees for ease of control wire entry with minimum spacing between unit and cable ducts.
- Relay terminal unit comes with an actuating arm to facilitate detaching of relay from the terminal unit and functions also for retaining relay within housing when in operation.
- Relay terminal unit is designed for both AC and DC system.
- 70µ copper clad PCB is housed within the unit.
- Polarity independent coil connection.
- Quick connection shorting link for interconnecting multiple relay terminal unit specially for marking common coil / pole connection.



Relay Coil Energised Indication



Quick Connect Links



Lever For Detaching Relays



Sleek Design



1 Changeover Electromechanical 6.2 mm Relay Terminal Unit

Versions

SR 24 V ADC 1 CO

SR 240 V ADC 1 CO

Base Unit

| | |
|------------------------------------|-------------------------------|
| Pitch (in mm) | 6.2 |
| Dimensions (Height X Width)(in mm) | 91.50 X 88.20 |
| Connection Poles | 2 Coil Side 3 Contact Side |
| Connection Possibility | 2.5 Sq. mm. |
| Screw Size | M 2.6 |
| Torque | 0.4 Nm |

Relay Actuation Data

| | | |
|--------------------------------|------------|-------------|
| Nominal Voltage(Vn) to actuate | 24 V DC/AC | 220 V DC/AC |
| Must Pick-up Voltage | 18 V DC/AC | 190 V DC/AC |
| Must Drop Voltage | 4 V DC/AC | 35 V DC/AC |
| Nominal Current(In) to actuate | 10 mA | 15 mA |

Contact Data

| | |
|--------------------------------|-----------------------|
| Contact Rating | 6 A, 250 VAC / 30 VDC |
| Compatible Contact Arrangement | 1 FORM A, 1 FORM C |
| Contact Material | AgNi |
| Contact Resistance | 100 mΩ @ 6 VDC, 1 A |
| Maximum Switching Power | 1500 VA / 144 W |

Relay Endurance Data

| | |
|--------------------|-------------------------|
| Mechanical | 1 X 10 ⁷ OPS |
| Electrical (Ohmic) | 3 X 10 ⁴ OPS |

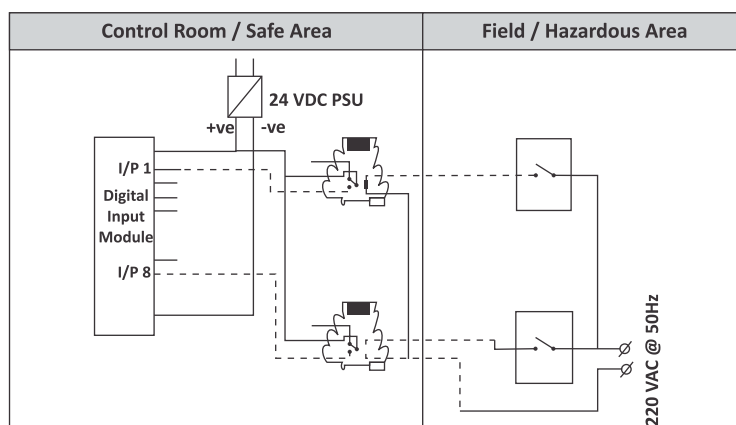
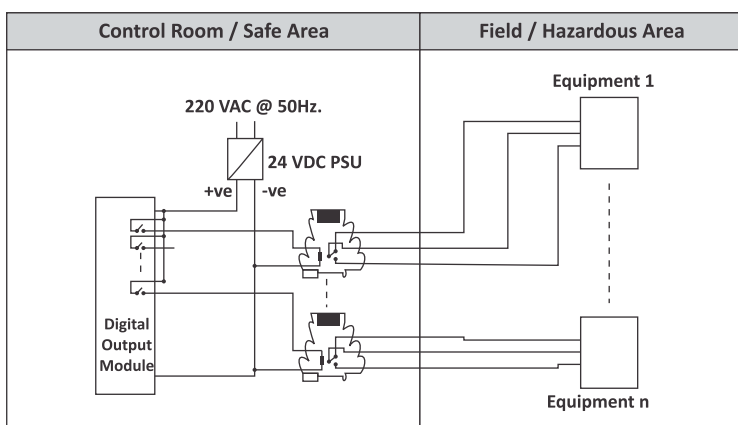
Insulation

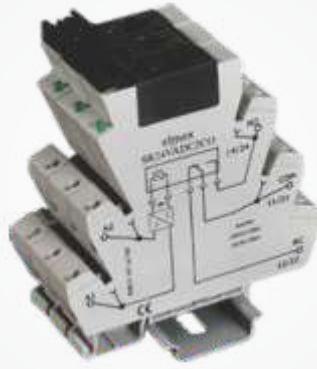
| | |
|---------------------|--------------------------------|
| Resistance(Initial) | Minimum 1000 MΩ at 500 VDC |
| Dielectric Strength | 1000 VAC (50 Hz.) for 1 Minute |

Others

| | |
|-----------------------|---------------|
| Operating Temperature | -20°C to 55°C |
|-----------------------|---------------|

Applications





2 Changeover Electromechanical 14.5 mm Relay Terminal Unit

Versions

SR 24 V ADC 2 CO

SR 240 V ADC 2 CO

Base Unit

| | |
|------------------------------------|-------------------------------|
| Pitch (in mm) | 14.5 |
| Dimensions (Height X Width)(in mm) | 91.50 X 88.20 |
| Connection Poles | 2 Coil Side 3 Contact Side |
| Connection Possibility | 2.5 Sq. mm. |
| Screw Size | M 2.6 |
| Torque | 0.4 Nm |

Relay Actuation Data

| | | |
|--------------------------------|------------|-------------|
| Nominal Voltage(Vn) to actuate | 24 V DC/AC | 220 V DC/AC |
| Must Pick-up Voltage | 19 V DC/AC | 200 V DC/AC |
| Must Drop Voltage | 4 V DC/AC | 50 V DC/AC |
| Nominal Current(In) to actuate | 25 mA | 10 mA |

Contact Data

| | |
|--------------------------------|------------------------|
| Contact Rating | 2X6 A, 250 VAC/ 30 VDC |
| Compatible Contact Arrangement | 2 FORM C |
| Contact Material | AgCdO |
| Contact Resistance | 100 mΩ @ 6 VDC, 1 A |
| Maximum Switching Power | 1500 VA (per contact) |

Relay Endurance Data

| | |
|--------------------|-------------------------|
| Mechanical | 1 X 10 ⁷ OPS |
| Electrical (Ohmic) | 1 X 10 ⁵ OPS |

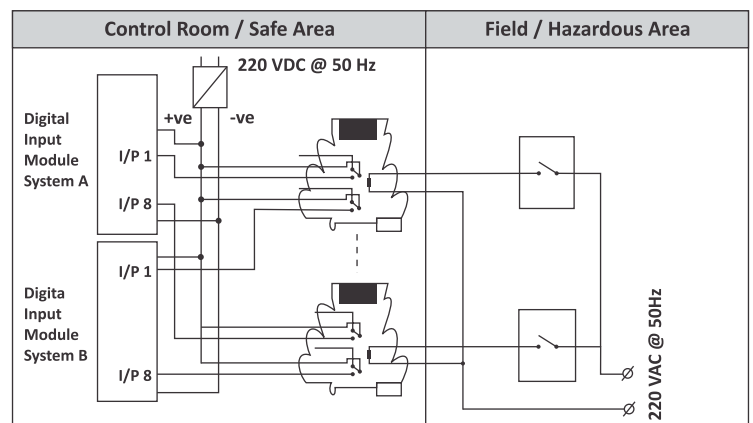
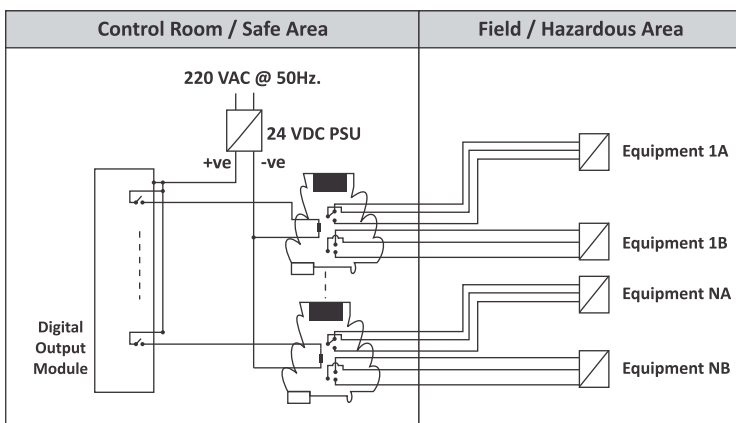
Insulation

| | |
|---------------------|--------------------------------|
| Resistance(Initial) | Minimum 1000 MΩ at 500 VDC |
| Dielectric Strength | 1000 VAC (50 Hz.) for 1 Minute |

Others

| | |
|-----------------------|---------------|
| Operating Temperature | -20°C to 55°C |
|-----------------------|---------------|

Applications





Solid State 6.2 mm Relay Terminal Unit

Versions

SR 24 V DD 24 SSR

SR 24 V DA 24 SSR

Base Unit

| | |
|------------------------------------|-------------------------------|
| Pitch (in mm) | 6.2 |
| Dimensions (Height X Width)(in mm) | 91.50 X 88.20 |
| Connection Poles | 2 Coil Side 2 Contact Side |
| Connection Possibility | 2.5 Sq. mm. |
| Screw Size | M 2.6 |
| Torque | 0.4 Nm |

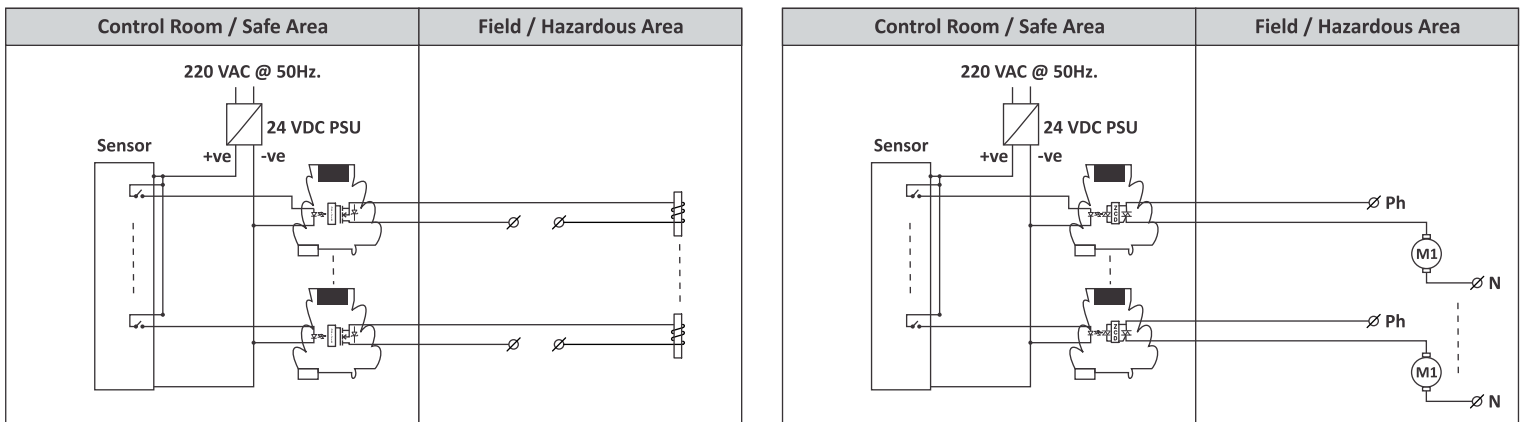
Relay Actuation Data

| | | |
|------------------------------|------------|------------|
| Input Control Voltage | 3 - 32 VDC | 3 - 32 VDC |
| Input Control Supply Current | 12 mA | 12 mA |

Relay Output Specification

| | | |
|-----------------------|---------------|------------------------------|
| Contact Configuration | 1 NO | 1 NO |
| Rated Voltage | 5 - 100 VDC | 24 - 280 VAC |
| Rated Current | 2 A @ 55°C | 2 A @ 55°C |
| Other Technical Data | | |
| ON Time | 2.5 m Secs | Zero Crossing Detector Based |
| OFF Time | 2.5 μ Secs | Zero Crossing Detector Based |
| Operating Temperature | -20°C to 55°C | |

Applications



Elmex Controls Pvt. Ltd. Elmex Electric Pvt. Ltd.

12, GIDC Estate, Makarpura Road, Vadodara 390 010, India.
Telephones: +91-265-2642021, 2642023 ❖ Facsimile: +91-265-2638646
e-mail: marketing@elmex.net ❖ URL: www.elmex.net

