

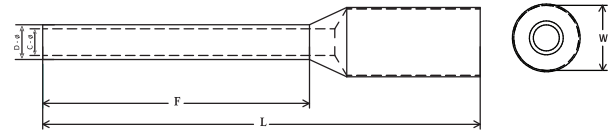
INSULATED CORD END LUG

POLYAMIDE CABLE GLAND



Insulated Cord End Lugs

The 'elmex' Insulated Cord End Lugs are having high conductivity and are corrosion resistant. It is suitable for applications in Energy Distribution Boards, Machines, Panels, Switch Boards etc.



Dimensional Drawing

Description	Specification
Material	Copper
Insulating Material	Polyamide
Surface	Tin Plated
Approvals	CE

Sr. No.	Wire Size Sq. mm	Product Colour	Product Code	Size (In mm)					Standard Box Packing(No.)
				F	L	W	D - ø	C - ø	
1	0.34	GREEN	LGS08-0.34 Green	8.0	12.4	1.7	1.1	0.80	10000
2	0.50	WHITE	LGS08-0.5	8.0	14.4	2.6	1.3	1.0	8000
3	0.50	WHITE	LGS10-0.5	10.0	16.4	2.6	1.3	1.0	8000
4	0.50	ORANGE	LGS10-0.5 ORANGE	10.0	16.4	2.6	1.3	1.0	6000
5	0.75	GREY	LGS08-0.75	8.0	14.4	2.8	1.6	1.3	5000
6	0.75	GREY	LGS10-0.75	10.0	16.4	2.8	1.6	1.3	8000
7	1.00	RED	LGS08-1	8.0	14.4	3.0	1.8	1.5	7000
8	1.00	YELLOW	LGS08-1 YELLOW	8.0	14.4	3.0	1.8	1.5	5000
9	1.00	RED	LGS10-1	10.0	16.4	3.0	1.8	1.5	7000
10	1.00	YELLOW	LGS10-1 YELLOW	10.0	16.4	3.0	1.8	1.5	5000
11	1.00	RED	LGS12-1	12.0	18.4	3.0	1.8	1.5	6000
12	1.50	BLACK	LGS08-1.5	8.0	14.4	3.5	2.1	1.8	6000
13	1.50	RED	LGS08-1.5 RED	8.0	14.4	3.5	2.1	1.8	5000
14	1.50	BLACK	LGS10-1.5	10.0	16.0	3.5	2.1	1.8	6000
15	1.50	RED	LGS10-1.5 R	10.0	16.0	3.5	2.1	1.8	6000
16	1.50	BLUE	LGS10-1.5BLUE	10.0	16.0	3.5	3.5	1.8	6000
17	1.50	BLACK	LGS12-1.5	12.0	18.4	3.5	2.1	1.8	5000
18	1.50	BLUE	LGS12-1.5BLUE	12.0	18.4	3.5	2.1	1.8	5000
19	1.50	BLACK	LGS18-1.5	18.0	24.4	3.5	2.1	1.8	4000
20	2.50	BLUE	LGS08-2.5	8.0	15.2	4.0	2.6	2.3	4000
21	2.50	BLACK	LGS08-2.5BLACK	8.0	15.2	4.0	2.6	2.3	3500
22	2.50	BLUE	LGS10-2.5	10.0	17.2	4.0	2.6	2.3	3500
23	2.50	GREY	LGS10-2.5 G	10.0	17.2	4.0	2.6	2.3	3500
24	2.50	BLUE	LGS12-2.5	12.0	19.2	4.0	2.6	2.3	3500
25	2.50	BLUE	LGS18-2.5	18.0	25.2	4.0	2.6	2.3	3000
26	4.00	GREY	LGS10-4	10.0	17.0	4.8	3.2	2.8	3000
27	4.00	GREY	LGS12-4	12.0	20.0	4.8	3.2	2.8	3000
28	4.00	GREY	LGS18-4	18.0	26.0	4.8	3.2	2.8	2500
29	6.00	YELLOW	LGS12-6	12.0	20.0	6.1	3.9	3.5	2000
30	10.00	RED	LGS12-10	12.0	21.5	7.4	4.9	4.5	1500

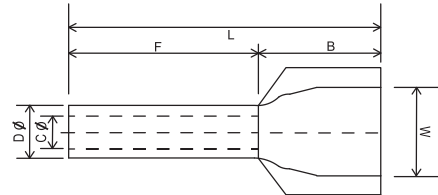
Insulated Twin End Lugs

The 'elmex' Insulated Twin Lug is ideally suitable to accommodate two wires of identical size ranging 0.5 to 16 sq mm. Twin End Lug finds its applications in Energy Distribution Boards, Machines, Panels, Switch Boards etc.



Features

- High Conductivity
- Corrosion Resistance
- Easy wiring with conical entry funnel



Dimentional Drawing



Description	Specification
Material	Copper
Insulating Material	Polyamide
Surface	Tin Plated
Approvals	CE

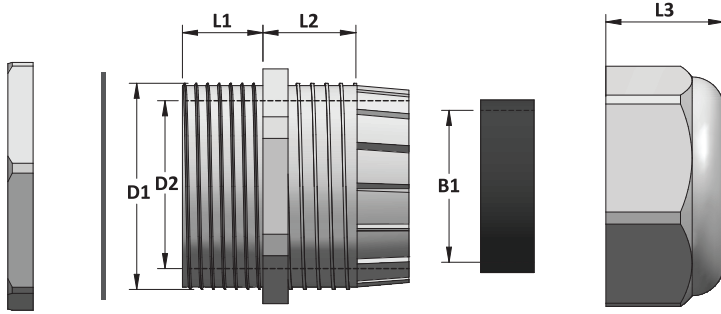
Sr. No.	Wire Size Sq. mm	Product Colour	Product Code	Size (in mm)						Standard Box Packing (No.)
				F	L	W	B	D - ø	C - ø	
1	2 X 0.50	WHITE	LGT08-0.5	8.0	14.5	5.0	6.5	1.8	1.5	5000
2	2 X 0.75	GREY	LGT08-0.75	8.0	14.7	5.5	6.7	2.1	1.8	5000
3	2 X 0.75	GREY	LGT10-0.75	10.0	17.8	5.5	6.7	2.1	1.8	5000
4	2 X 0.75	GREY	LGT12-0.75	12.0	19.6	5.5	6.7	2.1	1.8	4000
5	2 X 1.00	RED	LGT08-1	8.0	15.1	5.5	7.1	2.3	2.0	4000
6	2 X 1.00	RED	LGT10-1	10.0	18.0	5.5	7.1	2.3	2.0	4000
7	2 X 1.00	RED	LGT12-1	12.0	20.2	5.5	7.1	2.3	2.0	3500
8	2 X 1.50	BLACK	LGT08-1.5	8.0	15.5	6.4	7.2	2.6	2.3	3500
9	2 X 1.50	BLACK	LGT10-1.5	10.0	18.0	6.4	7.2	2.6	2.3	3500
10	2 X 1.50	RED	LGT10-1.5 RED	10.0	18.0	6.4	7.2	2.6	2.3	2000
11	2 X 1.50	BLACK	LGT12-1.5	12.0	20.0	6.4	7.2	2.6	2.3	3000
12	2 X 1.50	BLUE	LGT12-1.5 BLUE	12.0	20.0	6.4	7.2	2.6	2.3	3000
13	2 X 2.50	BLUE	LGT10-2.5	10.0	18.5	8.0	8.5	3.3	2.9	2000
14	2 X 2.50	BLUE	LGT12-2.5	12.0	22.8	8.0	8.5	3.3	2.9	1500
15	2 X 4.00	GREY	LGT12-4	12.0	23.1	8.8	11.1	4.2	3.8	1500
16	2 X 6.00	YELLOW	LGT14-6	14.0	26.1	9.5	12.1	5.3	4.9	1000
17	2 X 10.00	RED	LGT14-10	14.0	26.6	12.6	12.0	6.9	6.5	500
18	2 X 16.00	BLUE	LGT14-16	14.0	31.3	19.0	17.3	8.7	8.3	200

Polyamide Cable Gland

The 'elmex' Polyamide Cable Gland is designed for all functional safety in the industrial sectors like Manufacturing, Processing, Oil & Gas, Chemical Marine, Power and Utilities and Construction etc. It can be used in all type of Electrical Power, Control & Instrumentation, Data and Telecommunication Cables.

Quick and Ease Installation

Wide Clamping Range



Dimensional Drawing



Description	Specification
Body	Polyamide 6
Sealing Rubber	EPDM
Temperature Range	-20°C to + 100°C
Flammability	UL 94 V2
Thread Type	PG
Approvals	CE

Sr. No.	Product Type	Product Code	Size (In mm)						Clamping Range	Standard Packing(No.)
			D1	D2	L1	L2	L3	B1		
1	PG 7	GLNPG 7	12.3	7.5	8.3	14.0	13.8	6.4	3.5 - 6	100
2	PG 9	GLNPG 9	15.1	9.0	9.0	14.5	15.0	9.3	4 - 8	100
3	PG 11	GLNPG 11	18.3	11.9	7.5	16.8	16.8	10.0	5 - 10	100
4	PG 13.5	GLNPG 13.5	20.2	13.3	9.0	16.9	17.4	11.9	6 - 12	100
5	PG 16	GLNPG 16	22.4	15.7	10.0	16.4	18.5	15.0	10 - 14	100
6	PG 19	GLNPG 19	24.0	16.3	10.0	16.9	18.4	14.5	12 - 15	100
7	PG 21	GLNPG 21	28.3	20.1	10.0	20.0	22.2	18.0	13 - 18	100
8	PG 25	GLNPG 25	30.0	22.2	11.0	19.5	21.3	20.0	15 - 22	50
9	PG 29	GLNPG 29	36.8	27.9	13.0	21.2	25.7	25.0	18 - 25	50
10	PG 36	GLNPG 36	46.7	33.3	15.0	22.6	27.6	34.4	22 - 32	20
11	PG 42	GLNPG 42	53.8	40.4	15.0	27.5	30.3	39.0	30 - 38	20
12	PG 48	GLNPG 48	59.3	46.2	15.0	27.0	30.9	43.5	34 - 44	20
13	PG 63	GLNPG 63	70.0	56.6	29.0	31.9	40.6	54.4	45 - 55	5



Elmex Controls Pvt. Ltd. | Elmex Electric Pvt. Ltd.
12, GIDC Estate, Makarpura, Vadodara -390010, Gujarat, India

☎ 0265-2642021 / 23
✉ marketing@elmex.net
🌐 www.elmex.net